

Project Name: _____	AIA # _____
Location: _____	
Item #: _____ Qty: _____	SIS # _____

Model: GBC-5G

HCFCs and CFCs Free



GBC-5G

Standard Features

Blast Chiller GN1/1

Electronic control - H.A.C.C.P. function as standard - Slide out refrigeration System - Auto defrost - Water condensing tray - Gas R404a - Push-fit magnetic door seal - Poliurethane insulation 60mm CFC/HCFC - AISI 304 Grade Stainless Steel interior/exterior - Interior rounded corner - Easy-Clean coved interior- Adjustable inox feet - Reversible - Self closing doors - Stainless Steel back as standard. Distance between Racks 60mm

Optional Accessories

Racks - Trays - Stainless Steel shelves - Castors - Removable sterilizer - Heated core probe

Environment

(CFC & HCFC free) R404A refrigerant. High-tech environmentally friendly CFC-HCFC free, Cyclopentane foaming, keeping insulation properties for longer. Lower energy consumption and less CO2 emissions. Made of almost 99% recyclable materials. ISO 14001 Certified

Specifications

Desmon Blastchiller are manufactured with enduring ergonomic features to protect your long term investment.

Designed using the highest technologies, quality materials and components to provide the user with colder product temperatures, lower utility costs, exceptional food safety and the best value in today's food service marketplace. Push-fit magnetic door seal

Poliurethane insulation 60mm
CFC/HCFC
AISI 304 Grade Stainless Steel

Stainless Steel interior/exterior
Interior rounded corner
Easy-Clean rounded corners interior
Adjustable inox feet
Reversible Self closing doors
Stainless Steel back as standard

Electronic control

H.A.C.C.P. function as standard

Slide out refrigeration System
Auto defrost - Water condensing tray
Gas R404a

Output Chilling (+90°C / +3°C) Kg 16 within 90min.

Ready for : nr. 5 shelves GN1/1 (325x530) Not Included

Warranty

Two year warranty on parts



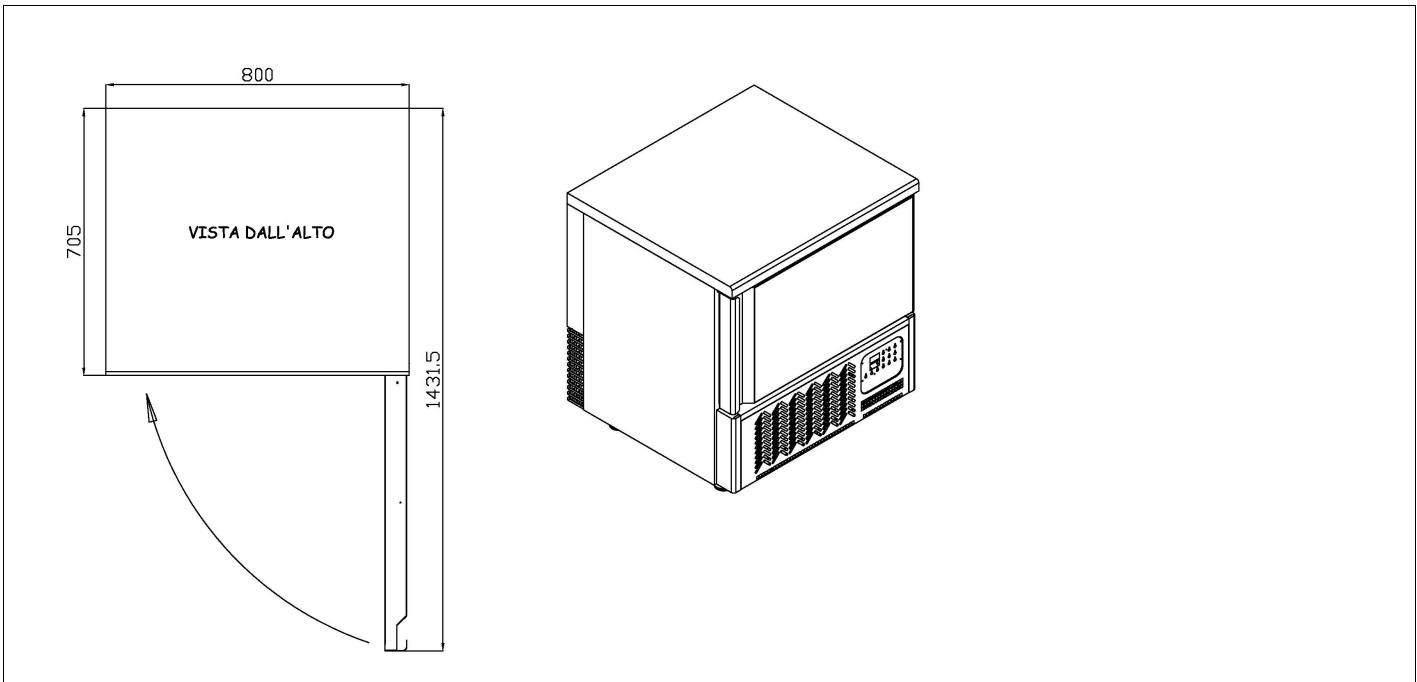
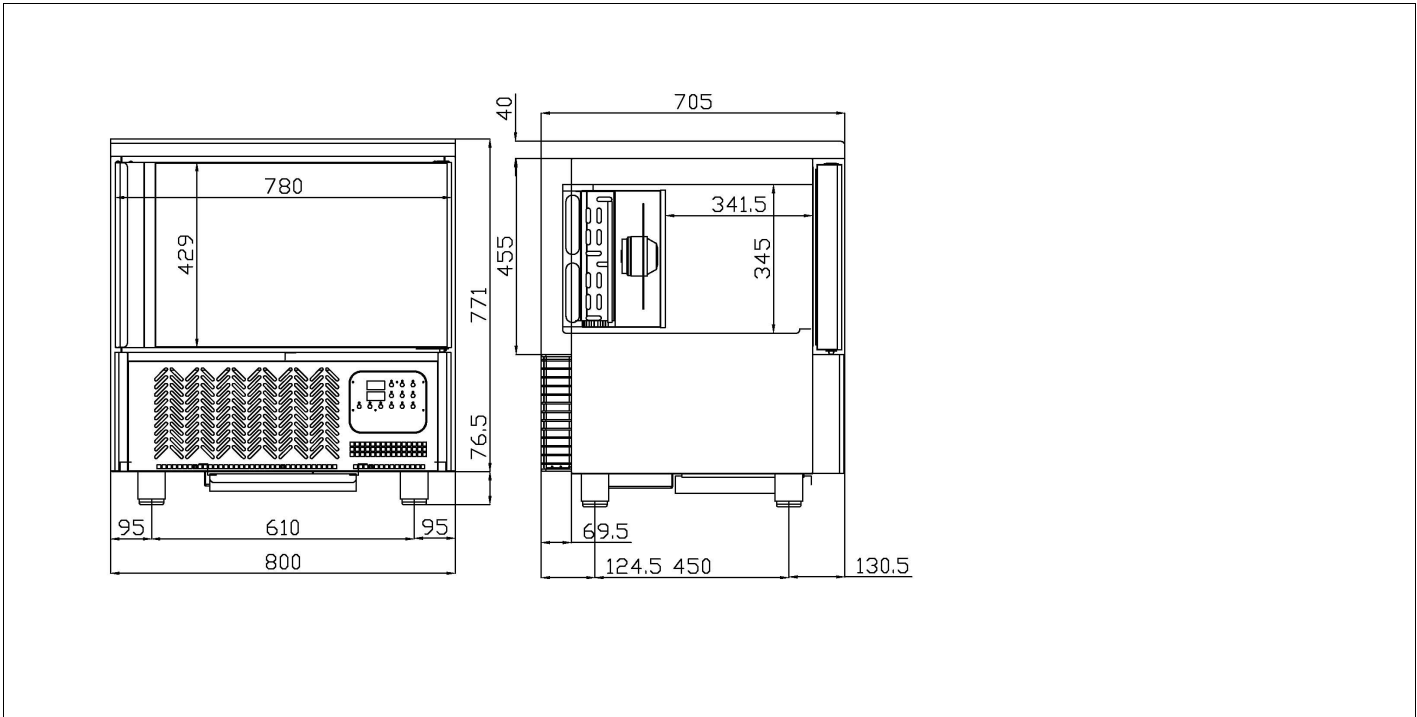
Approvals:

Available at:

Project Name: _____	AIA # _____
Location: _____	SIS # _____
Item #: _____	Qty: _____

Model: GBC-5G **HCFCs and CFCs Free**

ARCHITECT CORNER



Voltage	Abs. Power	Comp. H.P.	Total Max Amps	Ambient Temp.
220V/50Hz/1P	1095W			38 °C
Ship Weight	Dimensions		Packing	
100Kg	800x700x850		840x740x1000	