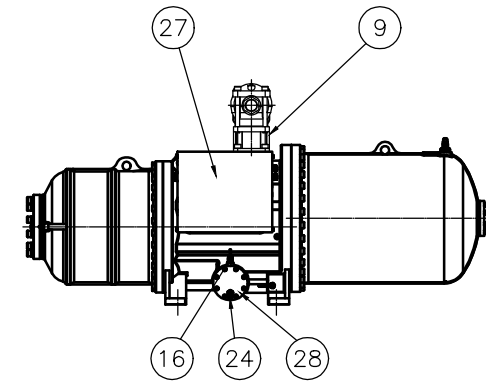
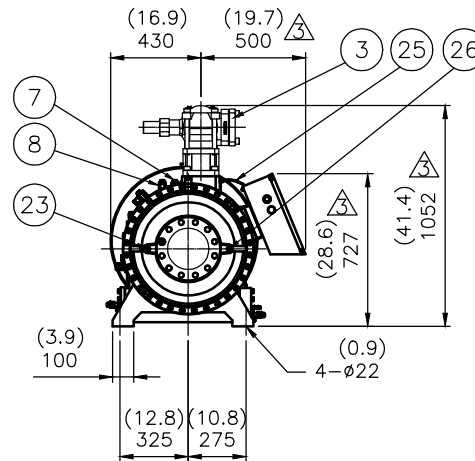
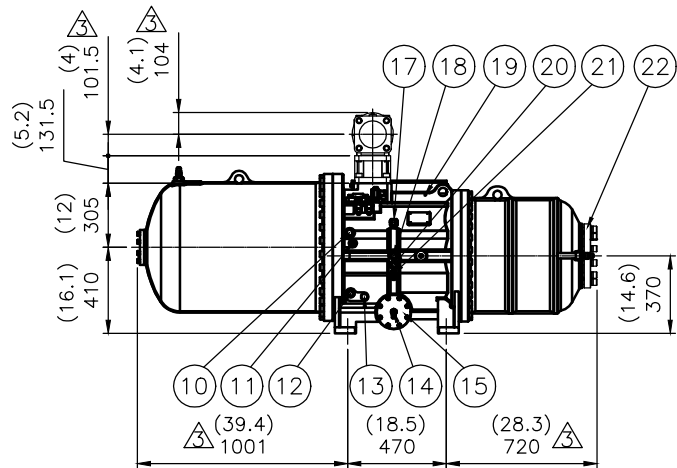


No.	Name	Note	No.	Name	Note
1	Angle valve	1/4"Flare	17	Oil cooler connector(in)	3/4"Flare
2	Safety valve	1 1/4",option	18	Oil flow sight glass	
3	Discharge flange	4"	19	Earth bolt	M8
4	Economizer port	1 3/8", solder	20	Stop Pin	option
5	Solenoid valve	Stepless(NC or NO),option	21	Oil cooler connector(out)	3/4"Flare,option
6	Solenoid valve	25%(NC)	22	Suction flange	6"
7	Solenoid valve	50%(NC)	23	Angle valve	1/4"Flare
8	Solenoid valve	75%(NC),option	24	Oil drain valve	1/4"Flare
9	Check valve	4"	25	Discharge temp. sensor	110°C
10	Displacement indicator	Option	26	Refrigerant service valve	1/4"Flare
11	Oil or Liquid refrigerant injection connector	5/8"Flare	27	Cable box	Standard
12	Oil sight glass	High side	28	service flange	
	13	Oil equalization valve			
	14	Oil pressure different switch			
	15	Oil filter cartridge			
	16	Oil level switch			

*All stop valve are optional



UNIT
SI: mm Imperial: (in)

	2014.08.21	There are 15 differences from 02 edition
	2012.11.08	Dimension correction
	2012.04.19	Delete1.Connector 2.Oil temp. sensor
Item	Date	Modification

Model	RC2-1020/1130A&B		
Name	Compressor outline		
			HANBELL NO. 03