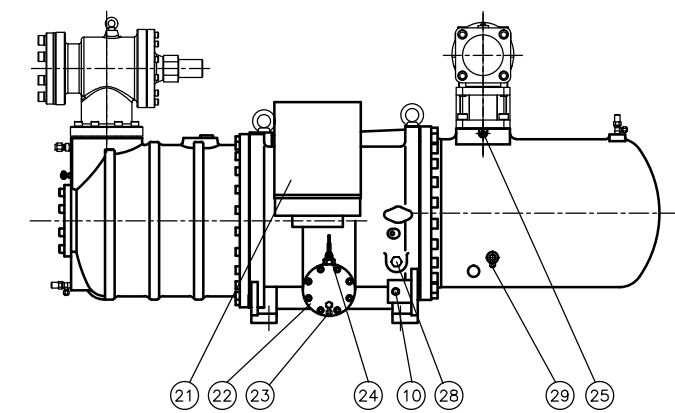
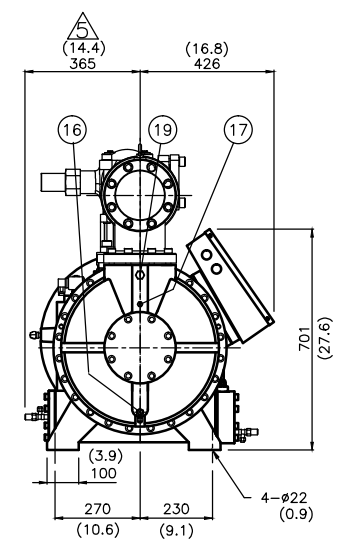
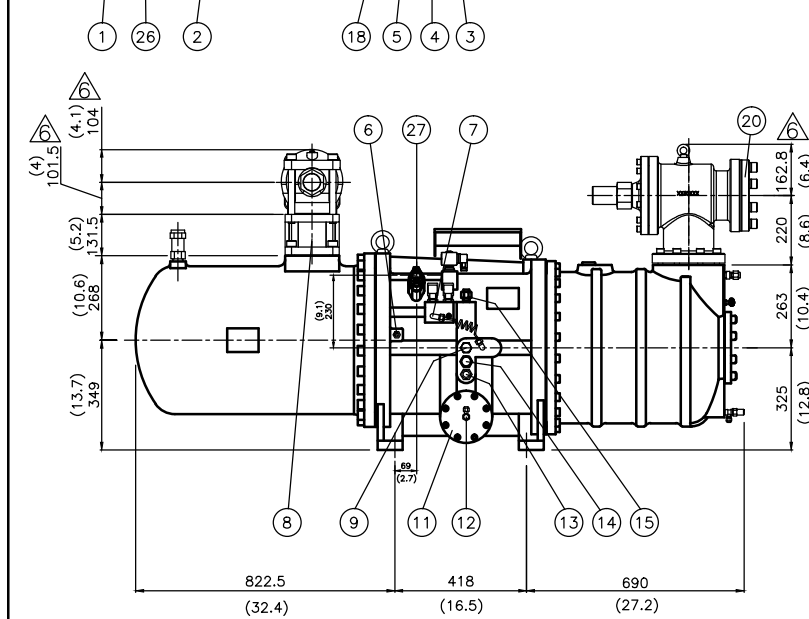


| No. | Name | Note | No. | Name | Note |
|-----|--|-------------------|-----|----------------------------|----------------------------|
| 1 | Angle valve | 1/4"Flare | 16 | Angle valve | 1/4"Flare |
| 2 | Discharge flange | 4" | 17 | Refrigerant service valve | 1/4"Flare |
| 3 | Solenoid valve | 50%(NC) | 18 | Solenoid valve | Stepless(NC or NO), option |
| 4 | Solenoid valve | 75%(NC) | 19 | Liquid injection connector | 5/8"Flare |
| 5 | Solenoid valve | 30%(NC) | 20 | Suction flange | 5" |
| 6 | Liquid(oil or refrigerant) injection connector | 3/8"Flare | 21 | Cable box | Standard |
| 7 | Capillary | | 22 | Service flange | |
| 8 | Check valve | 4" | 23 | Oil drain valve | |
| 9 | Oil flow sight glass | | 24 | Oil level switch | |
| 10 | Oil heater | 150W/300W | 25 | Discharge temp. sensor | 110°C |
| 11 | Oil filter cartridge | | 26 | Safety Valve | 1"NPT,option |
| 12 | Oil pressure differential switch | Connector, option | 27 | Economizer port | 1 1/8", solder |
| 13 | Oil cooler connector(out) | 3/4"Flare, option | 28 | Oil level sight glass | |
| 14 | Stop pin | option | 29 | Over flow port | option |
| 15 | Oil cooler connector(in) | 3/4"Flare, option | | | |

*All stop valves are optional.



UNIT:
SI: mm Imperial: (in)

| Item | Date | Modification |
|------|------------|--------------------------------------|
| △6 | 2014.08.21 | Dimension correction |
| △5 | 2012.11.07 | Dimension correction |
| △4 | 2012.04.16 | Delete1.Connector 2.Oil temp. sensor |

| | |
|-------|--------------------|
| Model | RC2-830A |
| Name | Compressor outline |
| | Ver. 06 |